

State of Wyoming Corner Record

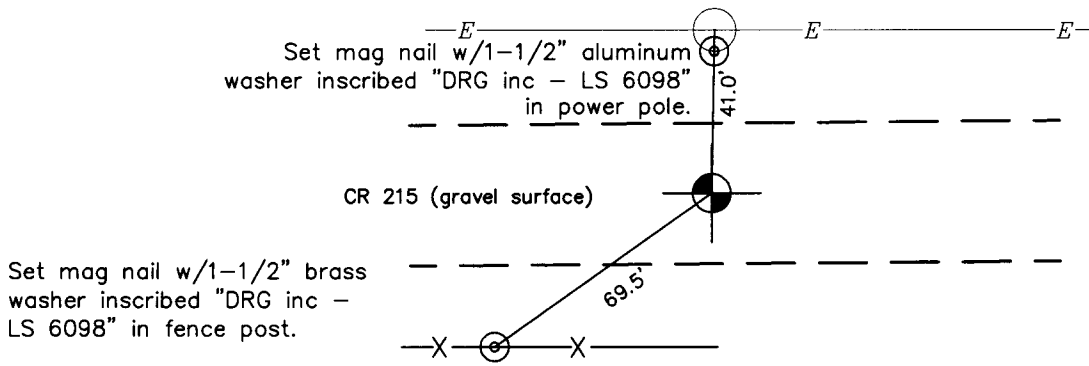
(In compliance with the *CORNER PERPETUATION AND FILING ACT*, Wyoming Statutes, 1997 Section 33-29-140 et. seq., and the Rules and Regulations of the Board of Professional Engineers and Professional Land Surveyors)

Reverse side of this form may be used if more space is needed.

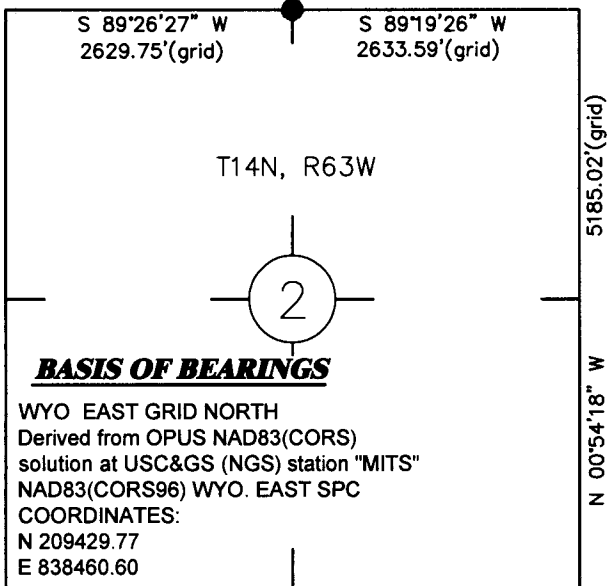
Record of original survey and citation of source of historical information (if corner is lost or obliterated). Description of corner monumentation evidence found and/or monument and accessories established to perpetuate the location of this corner. Sketch of relative location of monument, accessories, and reference points with course and distance to adjacent corner(s) (if determined in this survey). Method and rationale for reestablishment of lost or obliterated corner.

U.S.G.L.O. 1870 Record: Set a Limestone 18x9x6 for quarter section corner.

Found No. 5 rebar 0.4' below gravel road surface per corner record LS 3515 dated February 21, 1986. Rehabilitate with a 2-1/2" Aluminum Cap on a 30" no. 6 rebar set 0.6' below the road surface and inscribed as shown below.



Monument location



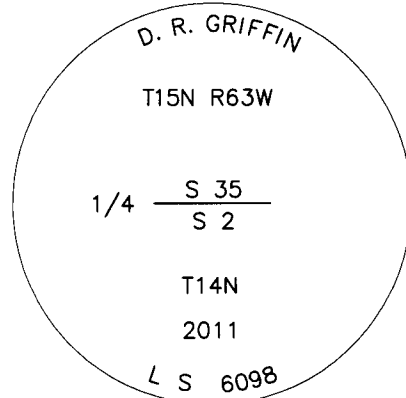
BASIS OF BEARINGS

WYO EAST GRID NORTH
 Derived from OPUS NAD83(CORS)
 solution at USC&GS (NGS) station "MITS"
 NAD83(CORS96) WYO. EAST SPC
 COORDINATES:
 N 209429.77
 E 838460.60



WYO. SPC EAST GRID NORTH

Found No. 5 rebar 0.4' below gravel road surface per corner record LS 3515 dated February 21, 1986. Rehabilitate with a 2-1/2" Aluminum Cap on a 30" no. 6 rebar set 0.6' below the road surface and inscribed as shown below.



Monument Inscription

Date of Field Work: 3/12/11

Office Reference: 18322

Cross Index Plat

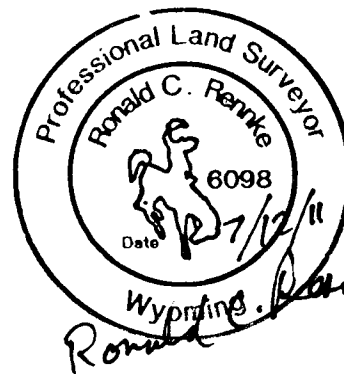
1	2	3	4	5	6	7	8	9	10	11	12	13	14	15	16	17	18	19	20	21	22	23	24	25		
A	+	+	+	+	+	+	+	+	+	+	+	+	+	+	+	+	+	+	+	+	+	+	+	+	A	
B	+	+	+	+	+	+	+	+	+	+	+	+	+	+	+	+	+	+	+	+	+	+	+	+	B	
C	6	5	4	3	2	1	+	+	+	+	+	+	+	+	+	+	+	+	+	+	+	+	+	+	C	
D	+	+	+	+	+	+	+	+	+	+	+	+	+	+	+	+	+	+	+	+	+	+	+	+	D	
E	+	+	+	+	+	+	+	+	+	+	+	+	+	+	+	+	+	+	+	+	+	+	+	+	E	
F	+	+	+	+	+	+	+	+	+	+	+	+	+	+	+	+	+	+	+	+	+	+	+	+	F	
G	7	8	9	10	11	12	+	+	+	+	+	+	+	+	+	+	+	+	+	+	+	+	+	+	G	
H	+	+	+	+	+	+	+	+	+	+	+	+	+	+	+	+	+	+	+	+	+	+	+	+	H	
J	+	+	+	+	+	+	+	+	+	+	+	+	+	+	+	+	+	+	+	+	+	+	+	+	J	
K	+	+	+	+	+	+	+	+	+	+	+	+	+	+	+	+	+	+	+	+	+	+	+	+	K	
L	18	17	16	15	14	13	+	+	+	+	+	+	+	+	+	+	+	+	+	+	+	+	+	+	L	
M	+	+	+	+	+	+	+	+	+	+	+	+	+	+	+	+	+	+	+	+	+	+	+	+	M	
N	+	+	+	+	+	+	+	+	+	+	+	+	+	+	+	+	+	+	+	+	+	+	+	+	N	
O	+	+	+	+	+	+	+	+	+	+	+	+	+	+	+	+	+	+	+	+	+	+	+	+	O	
P	19	20	21	22	23	24	+	+	+	+	+	+	+	+	+	+	+	+	+	+	+	+	+	+	P	
Q	+	+	+	+	+	+	+	+	+	+	+	+	+	+	+	+	+	+	+	+	+	+	+	+	Q	
R	+	+	+	+	+	+	+	+	+	+	+	+	+	+	+	+	+	+	+	+	+	+	+	+	R	
S	+	+	+	+	+	+	+	+	+	+	+	+	+	+	+	+	+	+	+	+	+	+	+	+	S	
T	30	29	28	27	26	25	+	+	+	+	+	+	+	+	+	+	+	+	+	+	+	+	+	+	T	
U	+	+	+	+	+	+	+	+	+	+	+	+	+	+	+	+	+	+	+	+	+	+	+	+	U	
V	+	+	+	+	+	+	+	+	+	+	+	+	+	+	+	+	+	+	+	+	+	+	+	+	V	
W	+	+	+	+	+	+	+	+	+	+	+	+	+	+	+	+	+	+	+	+	+	+	+	+	W	
X	31	32	33	34	35	36	+	+	+	+	+	+	+	+	+	+	+	+	+	+	+	+	+	+	X	
Y	+	+	+	+	+	+	+	+	+	+	+	+	+	+	+	+	+	+	+	+	+	+	+	+	+	Y
Z	1	2	3	4	5	6	7	8	9	10	11	12	13	14	15	16	17	18	19	20	21	22	23	24	25	Z

Firm/Agency, Address

RONALD C. RENNKE
D. R. GRIFFIN & ASSOCIATES
1414 ELK STREET
ROCK SPRINGS, WYOMING 82901
 Telephone Number: (307) 362-5028

This corner record was prepared by me or under my direction and supervision.

SEAL & SIGNATURE



RECORDED 8/09/2011 AT 10:18 AM REC# 573803 BK# 2231 PG# 437
 DEBRA K. LATHROP, CLERK OF LARAMIE COUNTY, WY PAGE 1 OF 1

Corner Name North 1/4 Corner Section 2, T 14 N, R 63 W, 6th P.M.
 Same as the South 1/4 Corner Section 35, T 15 N, R 63 W, 6th P.M.
 County: Laramie, Wyoming

Cross-Index No.: A-19
 Cross-Index No.: Z-19